

ALL DIMENSION ARE IN MM UNLESS OTHERWISE SPECIFIED.
 THE INFORMATION CONTAINED IN THIS DRAWING IS THE ONLY PROPERTY OF SHARP ENGINEERS
 ANY REPRODUCTION IN PART OR AS WHOLE WITHOUT THE WRITTEN PERMISSION OF SHARP
 ENGINEERS IS PROHIBITED.

ØP	A	B	C	N X ØD	E
Ø480	92	186	770	4 X Ø12	19
				5 X Ø10	16

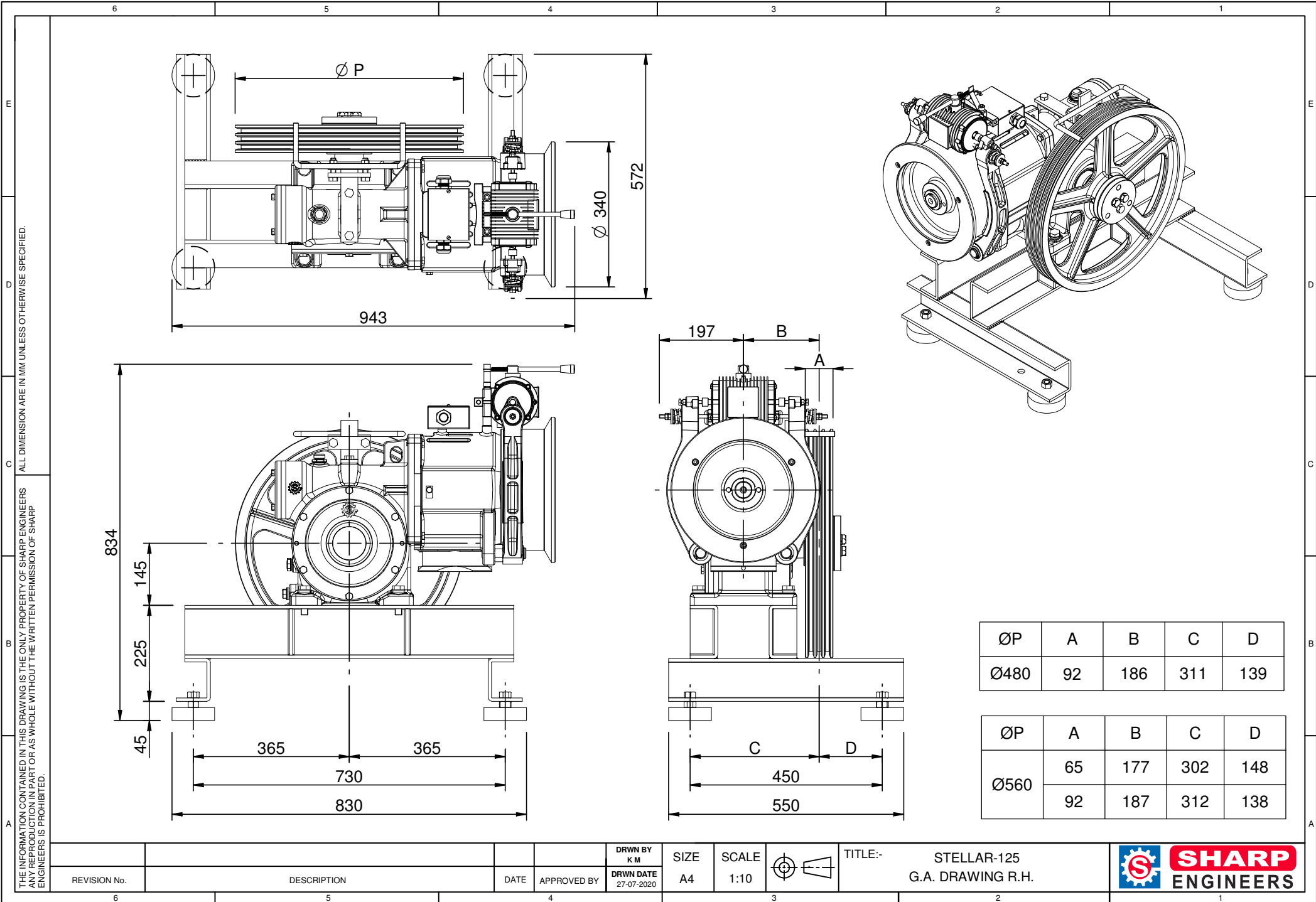
ØP	A	B	C	N X ØD	E
Ø560	65	177	810	3 X Ø13	19
				3 X Ø12	
	4 X Ø13				
	4 X Ø12				

Ø 19 ,04 Nos.

REVISION No.	DESCRIPTION	DATE	APPROVED BY	DRWN BY K M	SIZE A4	SCALE 1:10

TITLE:- **STELLAR-125**
G.A. DRAWING -R.H.





THE INFORMATION CONTAINED IN THIS DRAWING IS THE ONLY PROPERTY OF SHARP ENGINEERS. ANY REPRODUCTION IN PART OR AS WHOLE WITHOUT THE WRITTEN PERMISSION OF SHARP ENGINEERS IS PROHIBITED.

REVISION No.	DESCRIPTION	DATE	APPROVED BY

DRWN BY K M	SIZE A4	SCALE 1:10	
DRWN DATE 27-07-2020			

TITLE:- STELLAR-125
G.A. DRAWING R.H.

