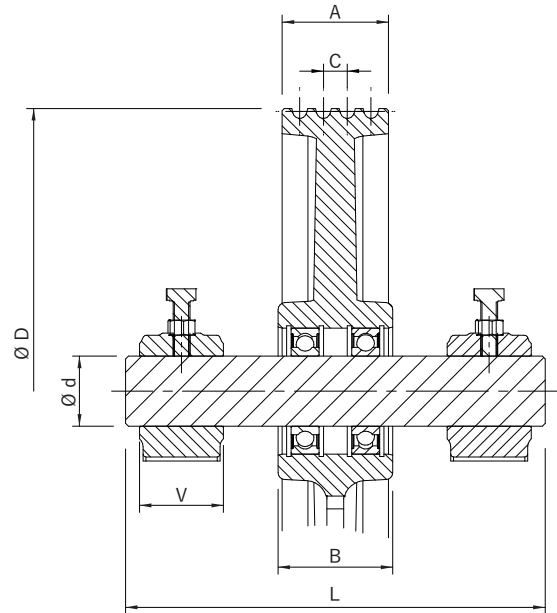
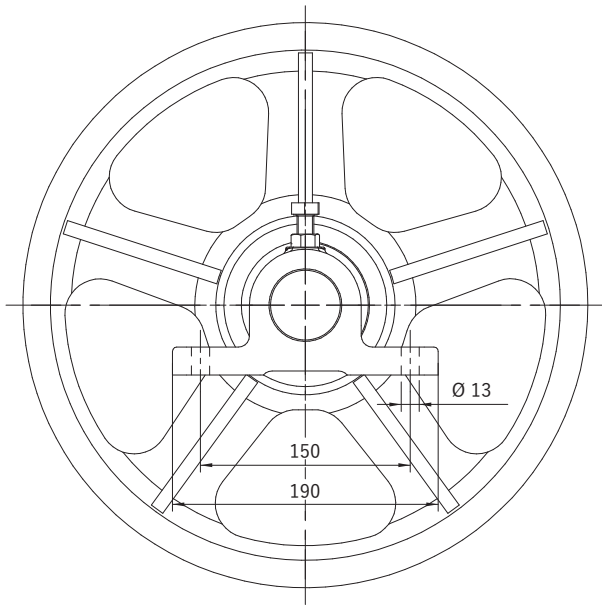


# Technical Drawing (Diverter Pulley)



All dimensions are in mm.