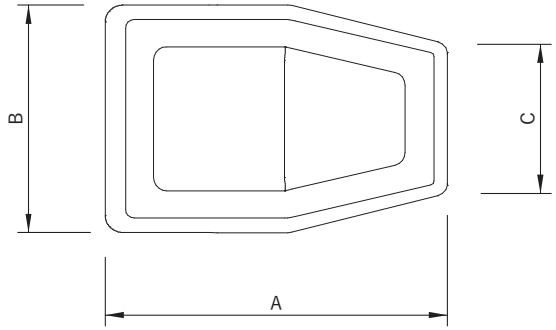
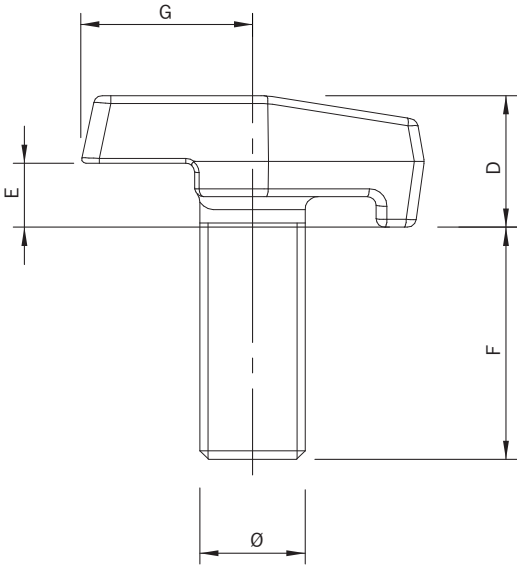


# Technical Drawing (Guide Clip)



All dimensions are in mm.