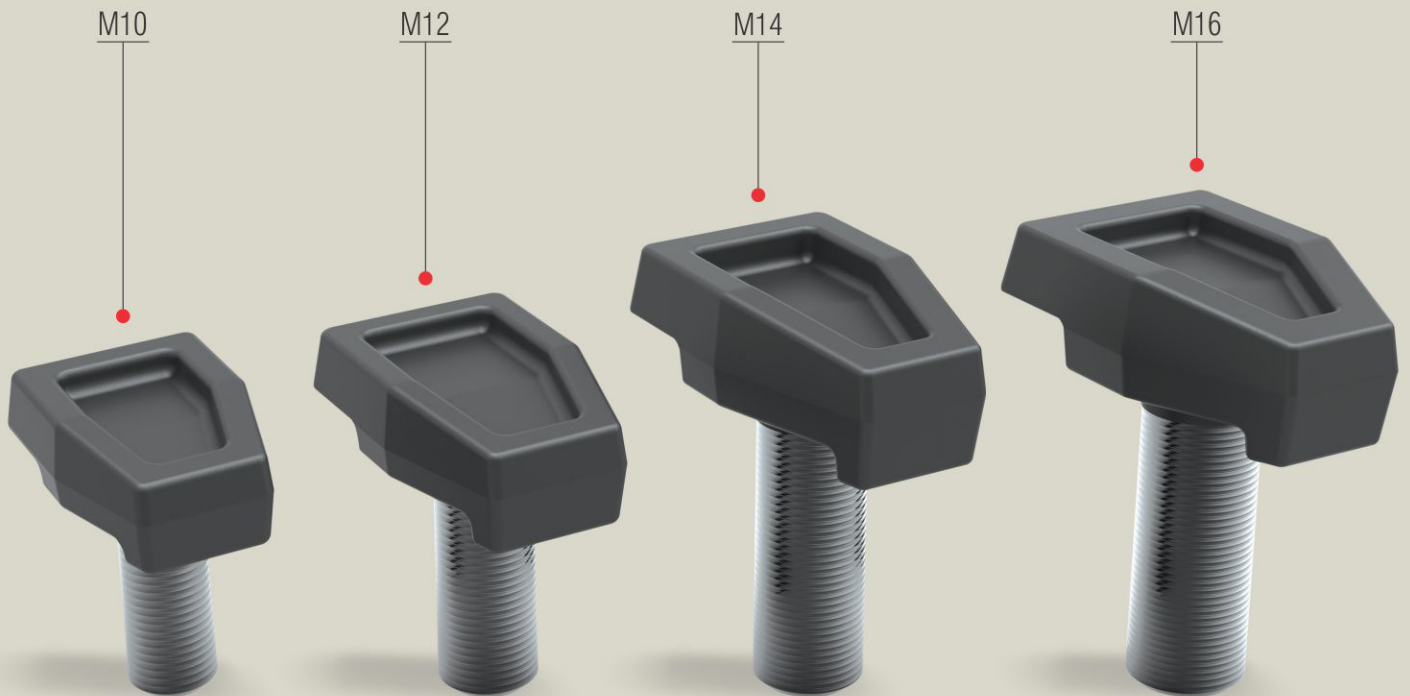


GUIDE CLIP

Oiled Steel With
Mounted Nut & Washer

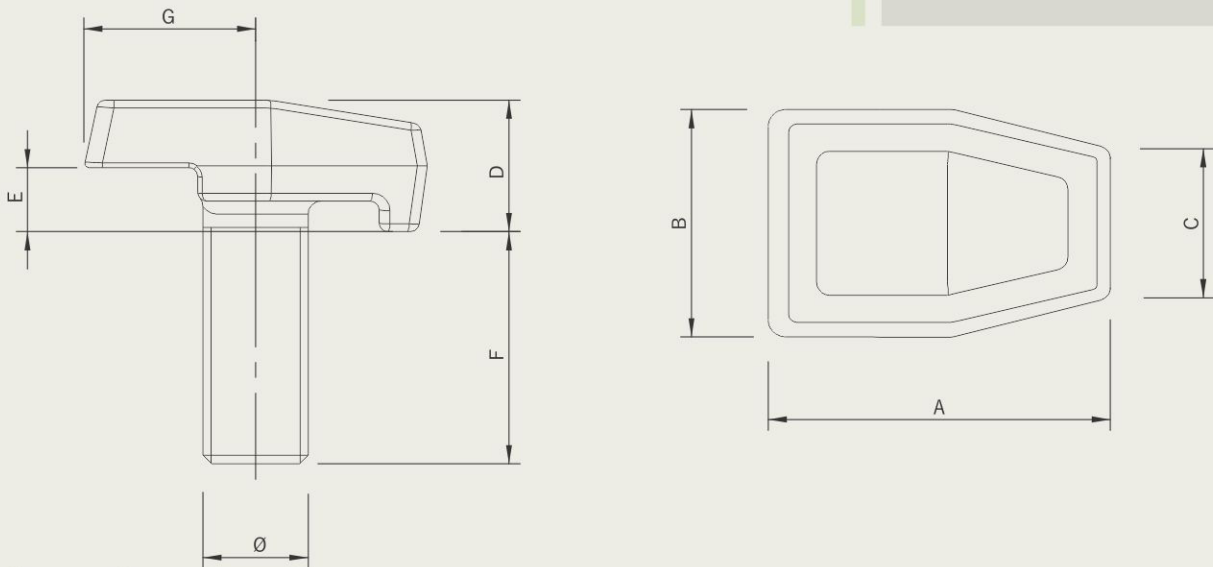
COMPONENTS



GUIDE CLIP

The **Quality** Inspires Trust

Technical Drawing



All dimensions are in mm.

\varnothing mm	A mm	B mm	C mm	D mm	E mm	F mm	G mm
	± 1.3	± 1.3	± 1.3	± 1.0	± 0.5	± 1.3	± 1.3
M10	32	23	15	13	5.5	22.5	16
M12	39	26	17	15	7.3	26.5	19.5
M14	45	29	17	18.5	9.5	36	21
M16	50	34	17	20	10.5	40	23.5