

# GUIDE SHOE T-2500

## COMPONENTS

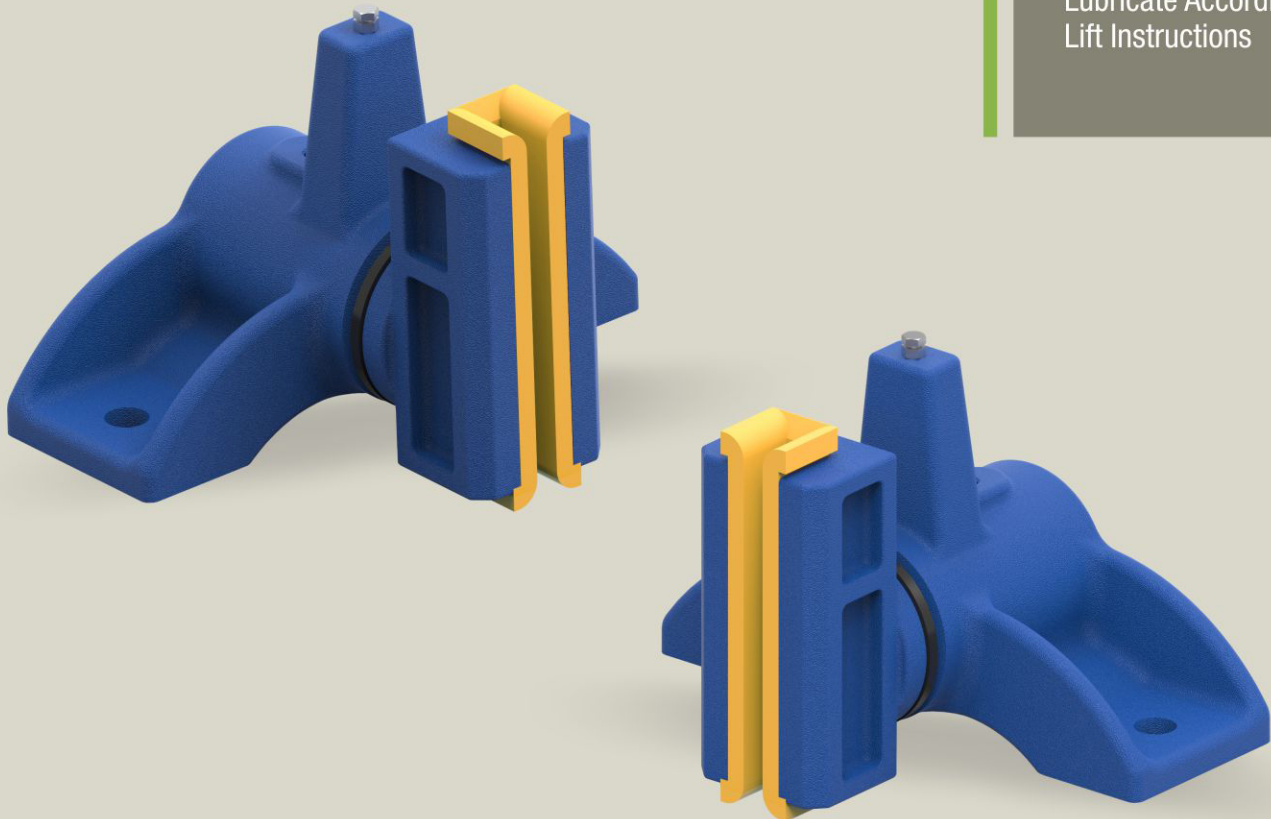
**Load**  
2500 daN

**Guide Rail**  
14 to 16 mm

**Material**  
Cast Iron

**Adjustment**  
Pre-load Nut and Fixing Slots

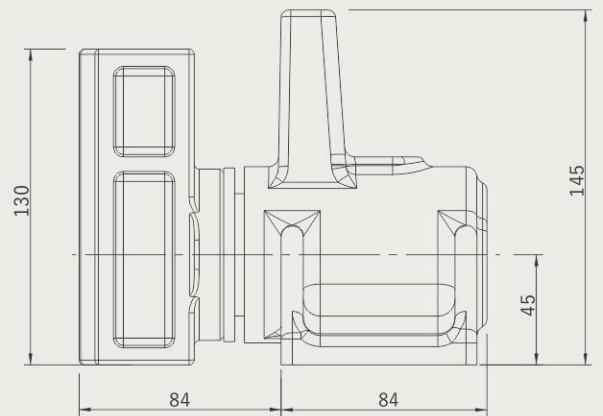
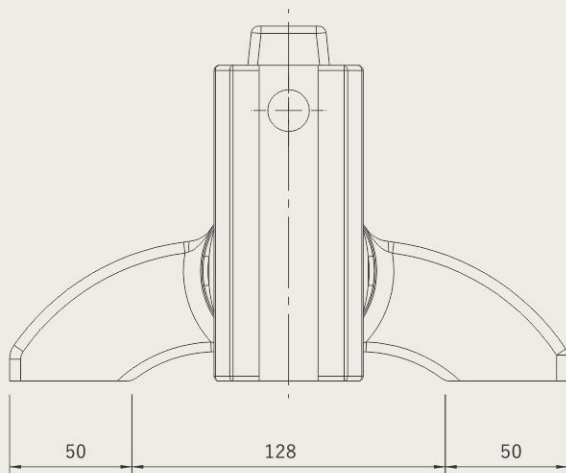
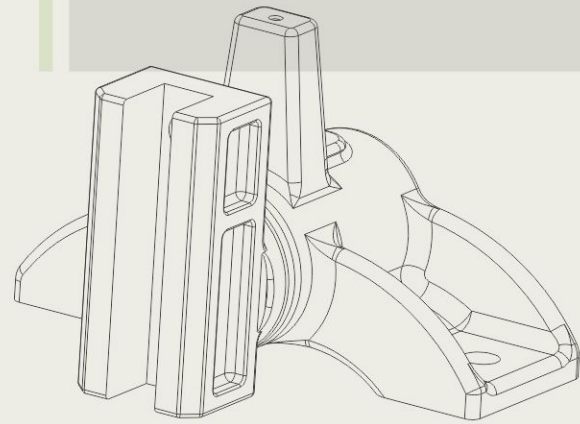
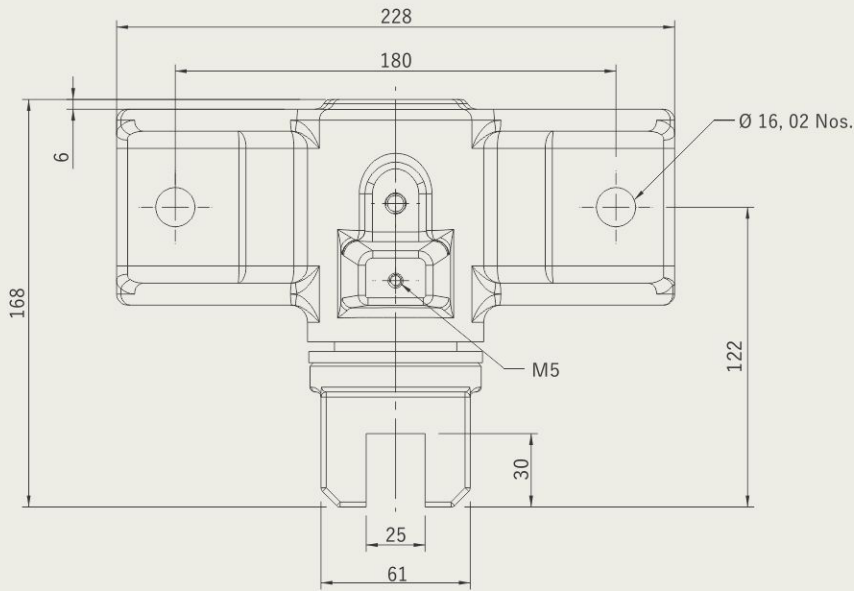
**Maintenance**  
Lubricate According to  
Lift Instructions



# GUIDE SHOE T-2500

The **Quality** Inspires Trust

## Technical Drawing



All dimensions are in mm.