

# GUIDE SHOE T-300

# COMPONENTS

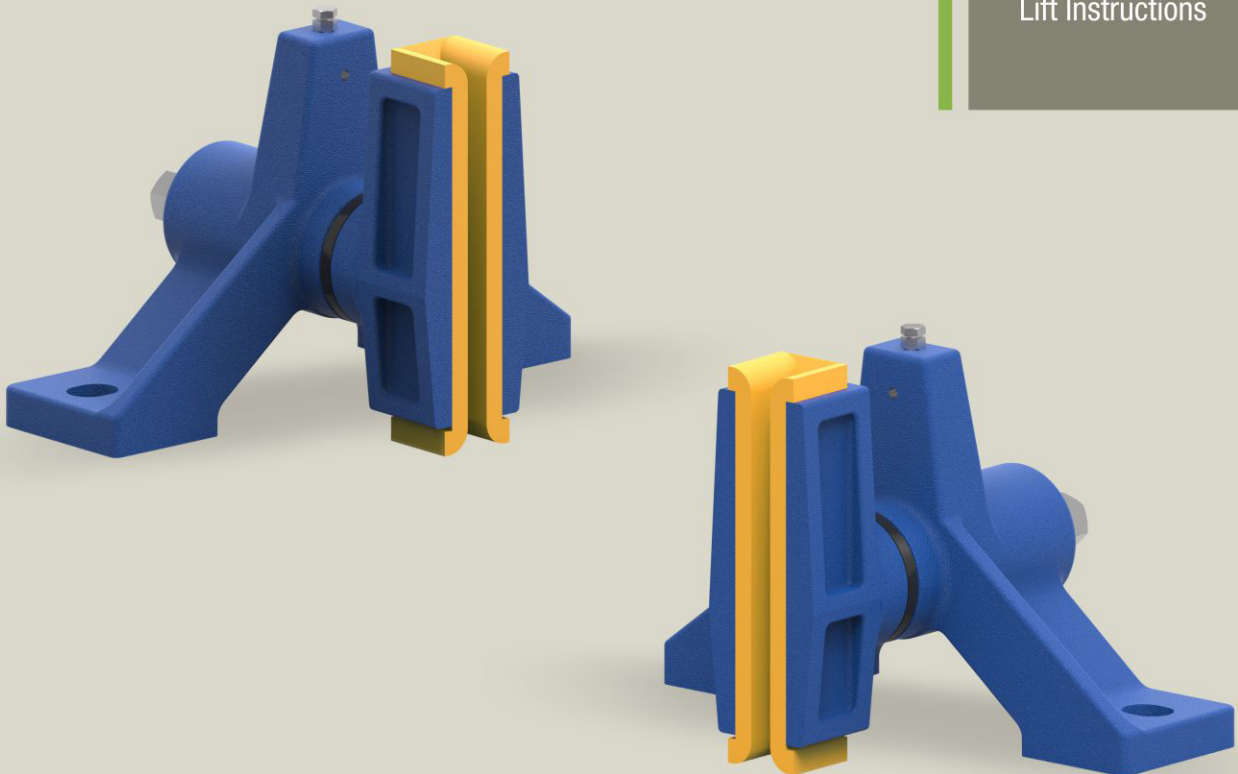
**Load**  
1000 daN

**Guide Rail**  
6 to 12 mm

**Material**  
Cast Iron

**Adjustment**  
Pre-load Nut and Fixing Slots

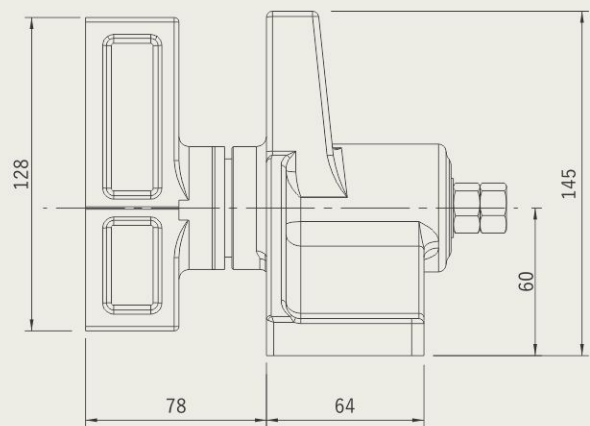
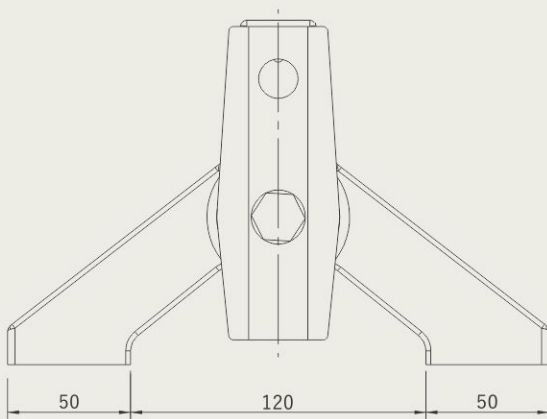
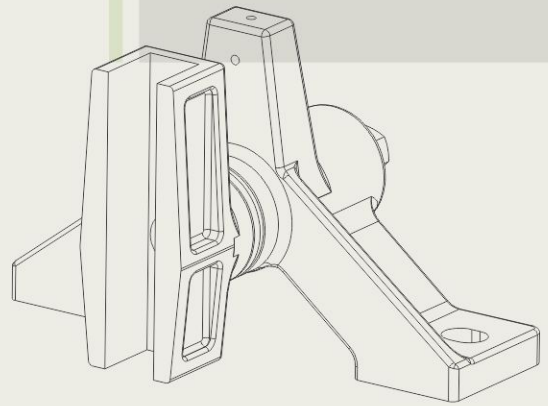
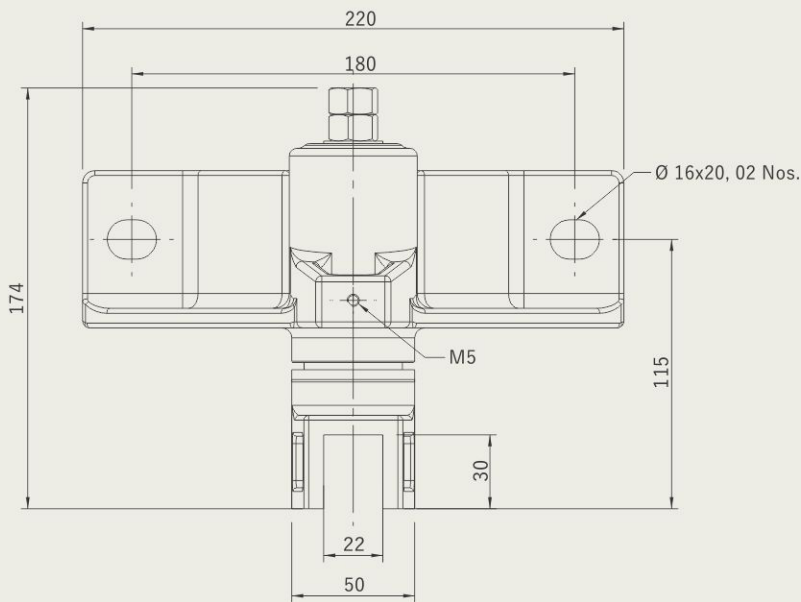
**Maintenance**  
Lubricate According to  
Lift Instructions



# GUIDE SHOE T-300

The **Quality** Inspires Trust

## Technical Drawing



All dimensions are in mm.