

GUIDE SHOE T-3500

COMPONENTS

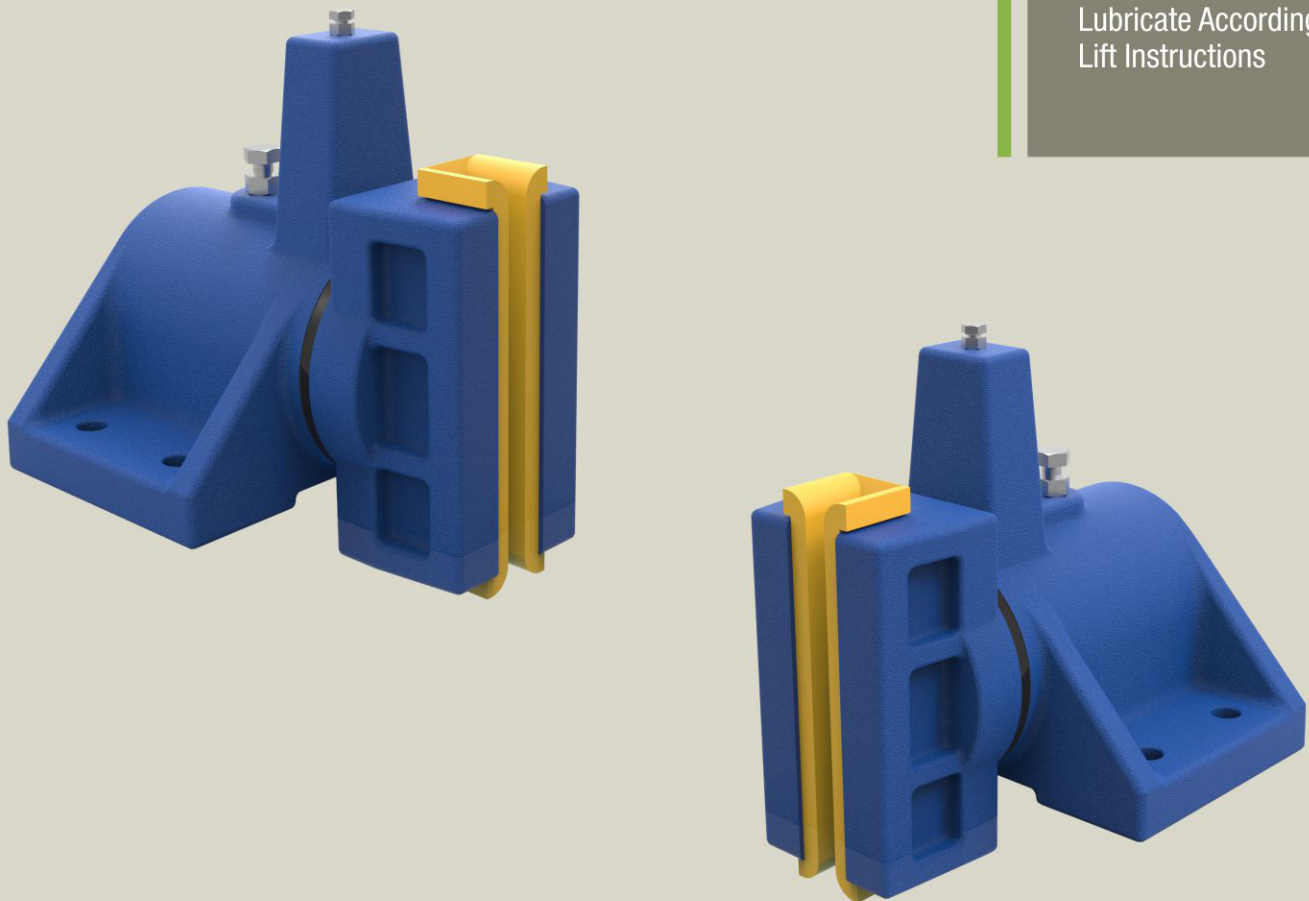
Load
3500 daN

Guide Rail
14 to 16 mm

Material
Cast Iron

Adjustment
Pre-load Nut and Fixing Slots

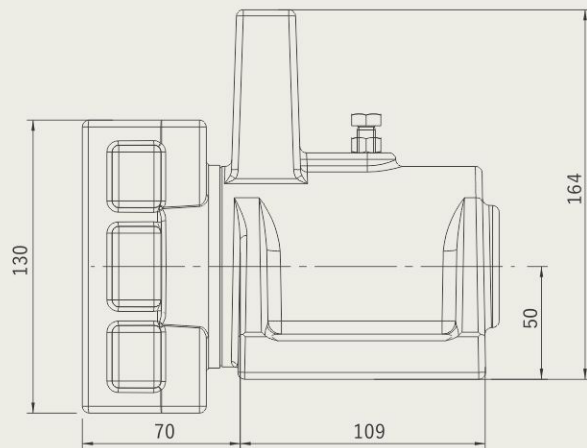
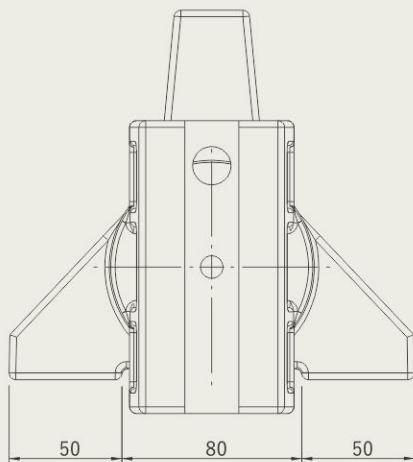
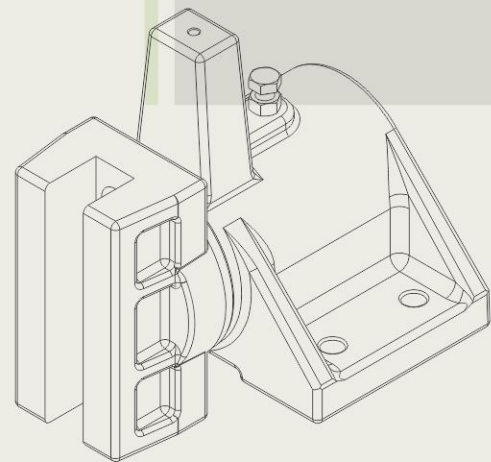
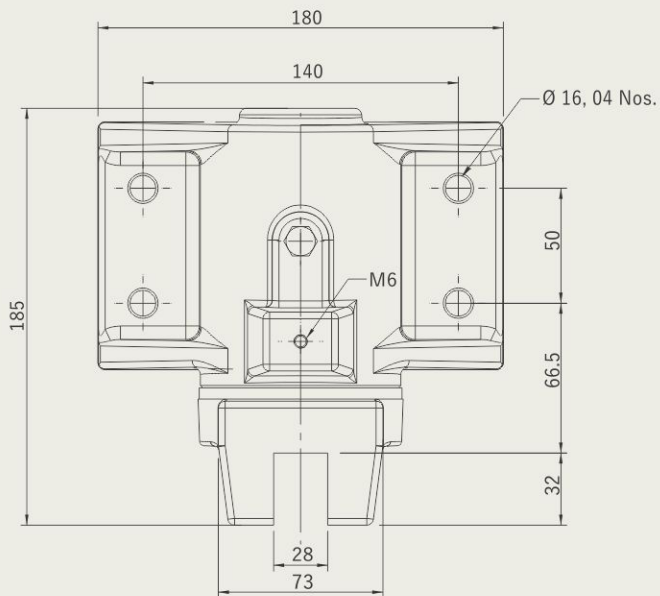
Maintenance
Lubricate According to
Lift Instructions



GUIDE SHOE T-3500

The **Quality** Inspires Trust

Technical Drawing



All dimensions are in mm.