

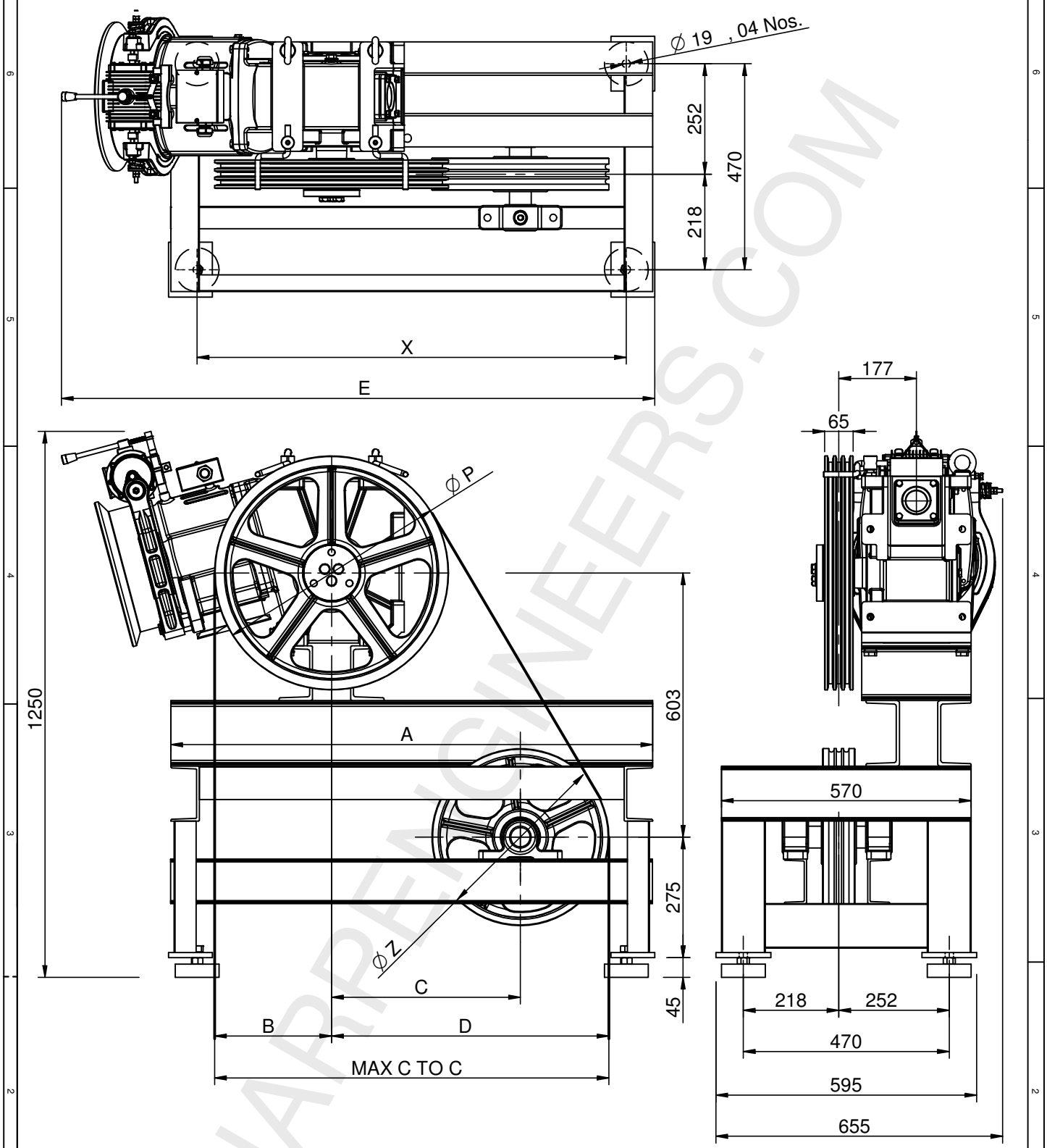
ALL DIMENSION ARE IN MM UNLESS OTHERWISE SPECIFIED.  
 THE INFORMATION CONTAINED IN THIS DRAWING IS THE ONLY PROPERTY OF SHARP ENGINEERS  
 ANY REPRODUCTION IN PART OR AS WHOLE WITHOUT THE WRITTEN PERMISSION OF SHARP  
 ENGINEERS IS PROHIBITED.

REVISION No.	DESCRIPTION	DATE	APPROVED BY	DRWN BY K M	SIZE A4	SCALE 1:10	TITLE:-
				DRWN DATE 04-06-2020			MP-61 R1 G.A. DRAWING R.H.



THE INFORMATION CONTAINED IN THIS DRAWING IS THE ONLY PROPERTY OF SHARP ENGINEERS ANY REPRODUCTION IN PART OR AS WHOLE WITHOUT THE WRITTEN PERMISSION OF SHARP ENGINEERS IS PROHIBITED.

ALL DIMENSION ARE IN MM UNLESS OTHERWISE SPECIFIED.



MAIN SHEAVE ØP	DIVERTER PULLEY ØZ	MAX C TO C	A	B	C	D	E	X
Ø530	Ø400	900	1100	265	435	635	1355	980
Ø560				280	420	620	1340	

REVISION No.	DESCRIPTION	DATE	APPROVED BY

DRWN BY KM	SIZE A4	SCALE	
DRWN DATE 10/01/2018			

TITLE:- MP - 61 R1  
CTOC DRAWING FOR MAX. 900mm R.H

