

ALL DIMENSION ARE IN MM UNLESS OTHERWISE SPECIFIED.  
 THE INFORMATION CONTAINED IN THIS DRAWING IS THE ONLY PROPERTY OF SHARP ENGINEERS  
 ANY REPRODUCTION IN PART OR AS WHOLE WITHOUT THE WRITTEN PERMISSION OF SHARP  
 ENGINEERS IS PROHIBITED.

ØP	A	B	C	N X ØD	E
Ø480	92	186	860	4 X Ø12	19
				5 X Ø10	16

ØP	A	B	C	N X ØD	E
Ø560	65	177	900	3 X Ø13	19
				3 X Ø12	
				4 X Ø13	
				4 X Ø12	

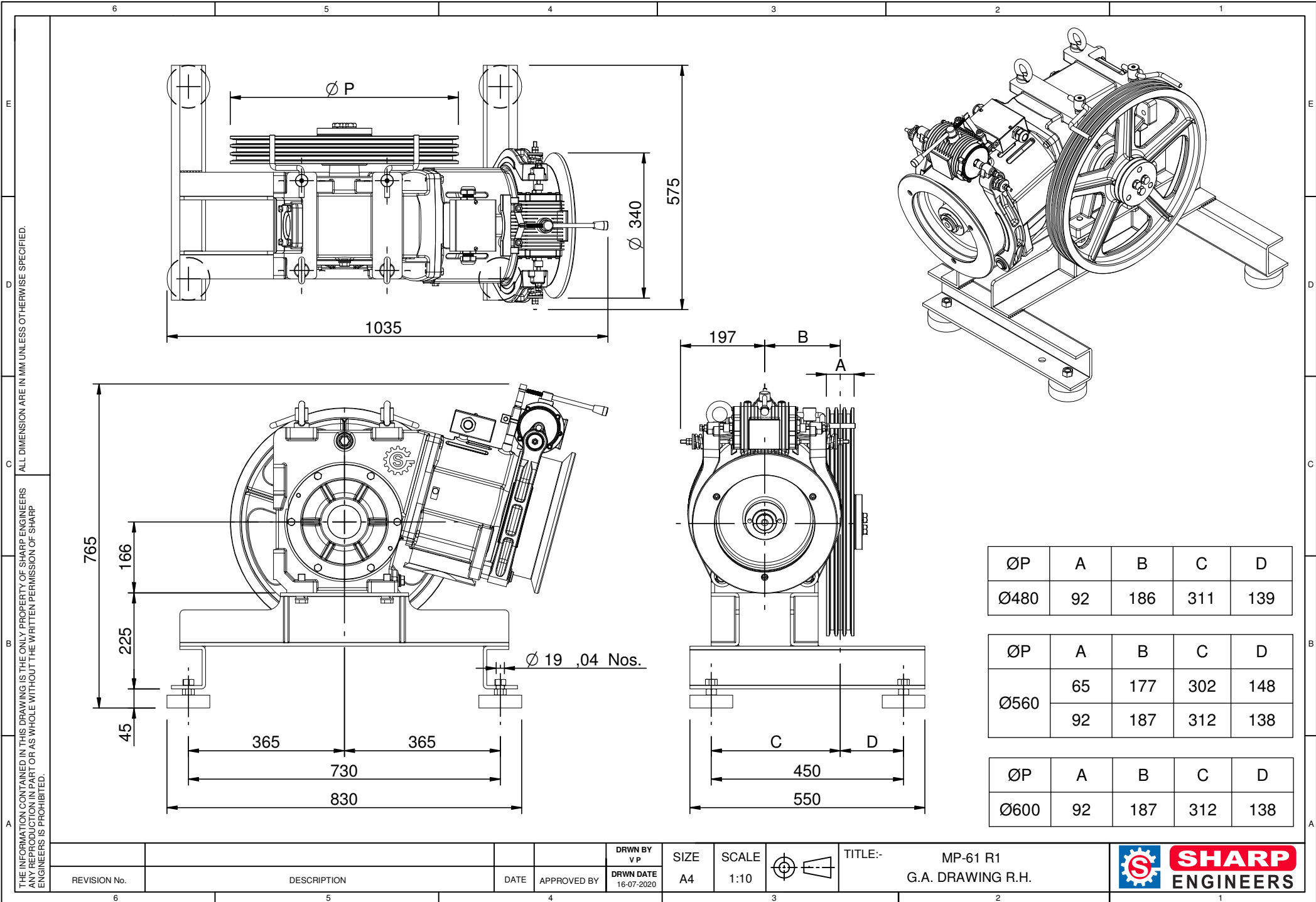
ØP	A	B	C	N X ØD	E
Ø600	92	187	920	4 X Ø13	19
				4 X Ø12	

DRWN BY KM  
 SIZE A4  
 SCALE  
 DATE 16-07-2020

TITLE:- MP-61 R1  
 G.A. DRAWING R.H. (HOR)



REVISION No.	DESCRIPTION	DATE	APPROVED BY



THE INFORMATION CONTAINED IN THIS DRAWING IS THE ONLY PROPERTY OF SHARP ENGINEERS. ANY REPRODUCTION IN PART OR AS WHOLE WITHOUT THE WRITTEN PERMISSION OF SHARP ENGINEERS IS PROHIBITED.

REVISION No.

DESCRIPTION

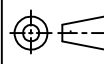
DATE

APPROVED BY

DRWN BY  
v p  
 DRWN DATE  
16-07-2020

SIZE  
A4

SCALE  
1:10



TITLE:-

MP-61 R1  
 G.A. DRAWING R.H.

