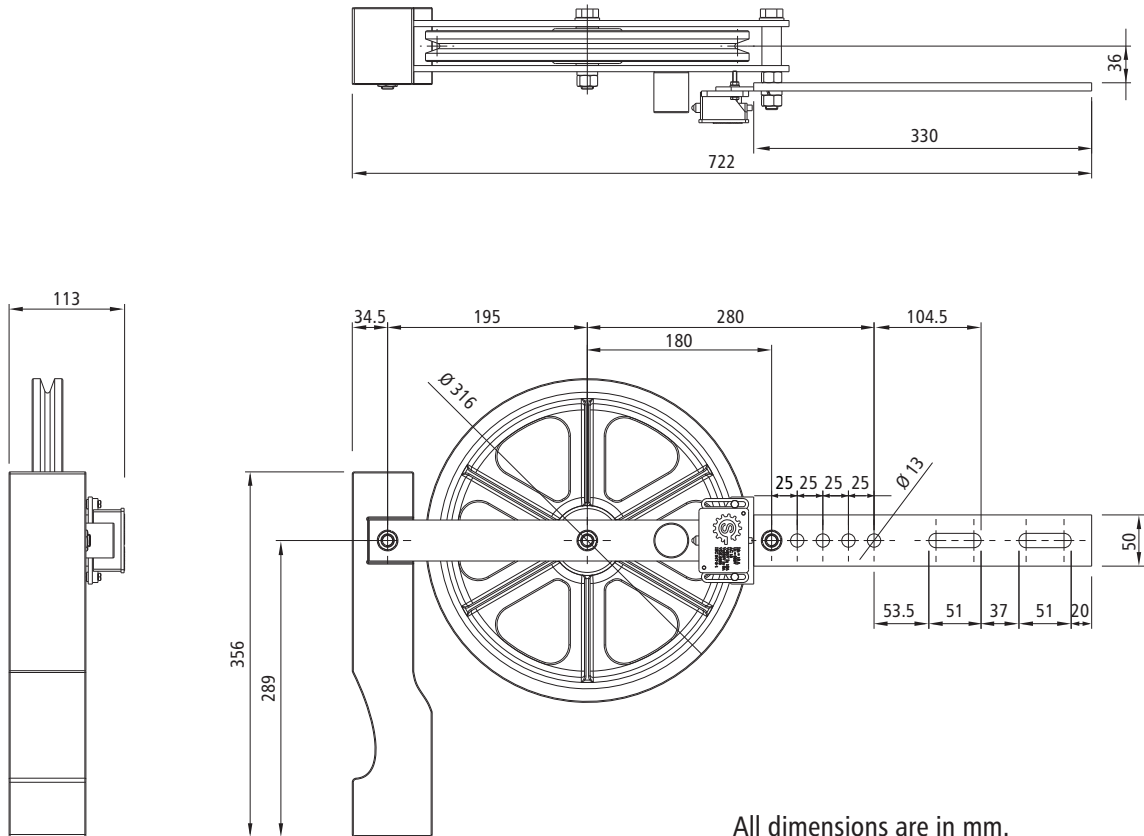


# Technical Drawing (Over Speed Governor - Tension Pulley 300mm )



All dimensions are in mm.