

# Over Speed Governor

Top Pulley 250mm

# COMPONENTS

MACHINE ROOM &  
MACHINE ROOMLESS  
BI DIRECTIONAL

OSGTP250MR



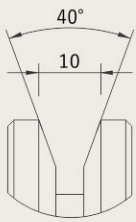
OSGTP250MRL



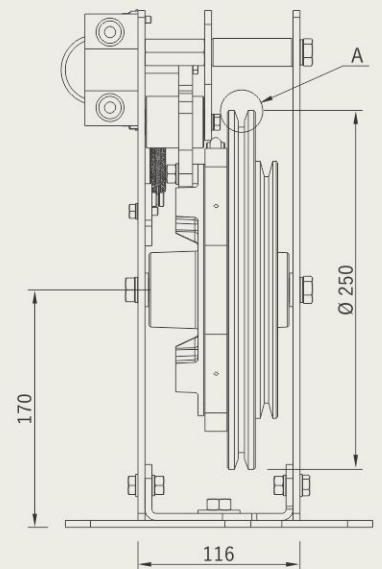
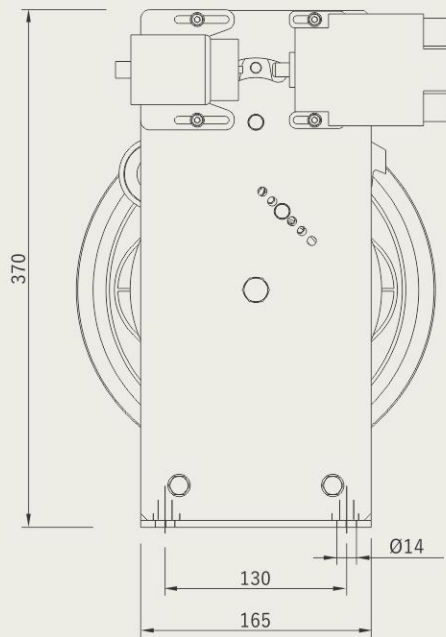
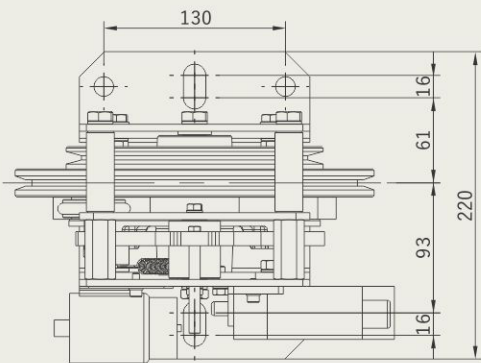
# Over Speed Governor Top Pulley 250mm

The **Quality** Inspires Trust

## Technical Drawing



DETAIL - A

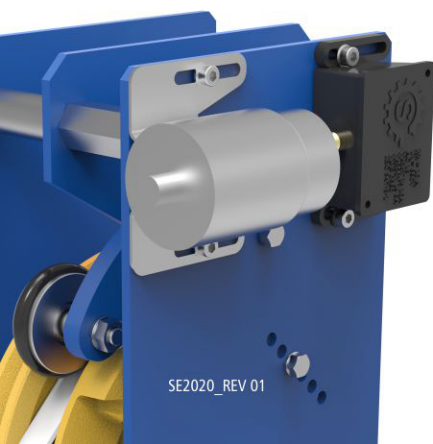


All dimensions are in mm.

### Technical Specification

OSGTP250MR	Bi Directional for Machine Room
OSGTP250MRL	Bi Directional for Machine Roomless
Nominal Speed	0.32 – 1.00 m/s
Tripping Speed	0.40 – 1.25 m/s
Ø Rope	6 & 8 mm

Available with Limit switch, Test Groove & Remote Control for Machine Roomless Operation



SE2020\_REV 01

Subject to change without any prior notice!