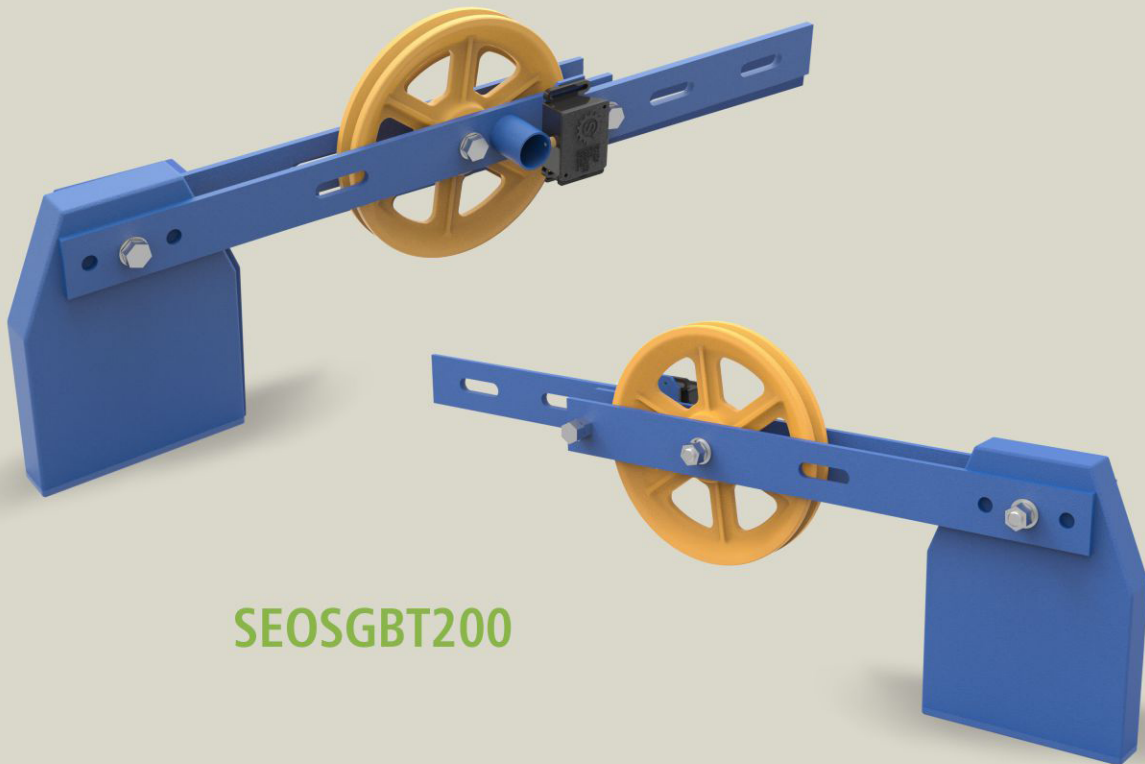


Over Speed Governor Tension Pulley 200mm

COMPONENTS

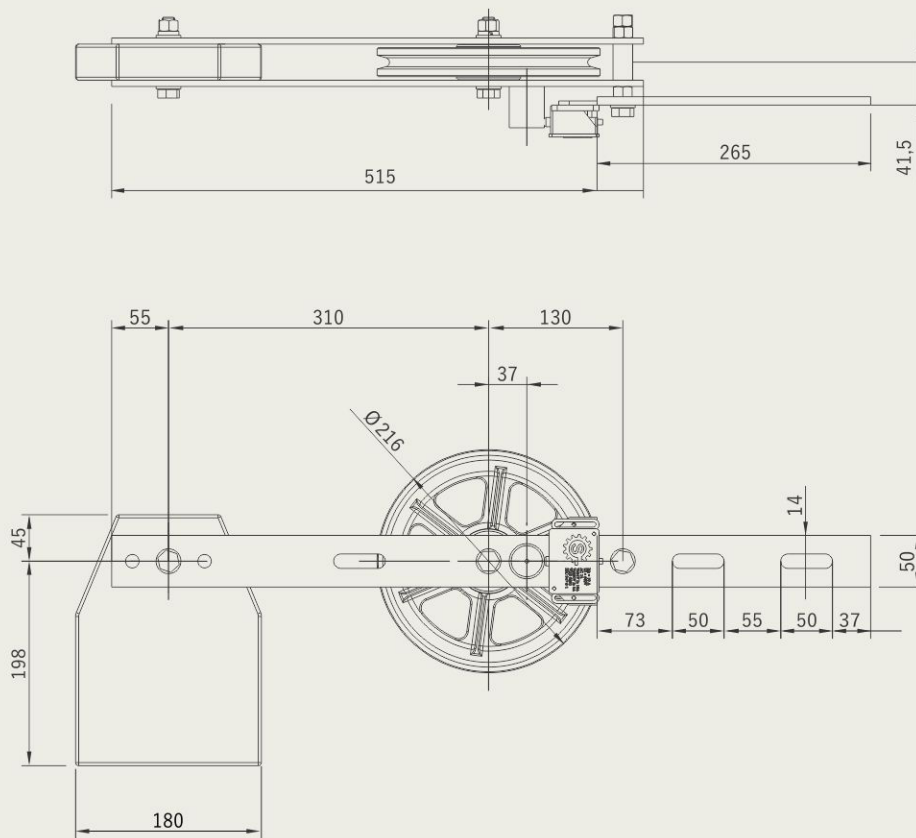


SEOSGBT200

Over Speed Governor Tension Pulley 200mm

The **Quality** Inspires Trust

Technical Drawing



All dimensions are in mm.

Technical Specification

Pulley Diameter (D) mm	Counter Weight	Speed Governor Suitability	Direction
200	10, 13, 17, 22 Kg	OSGTP200MR	Down
200	10, 13, 17, 22 Kg	OSGTP200MRL	Up / Down

Material :

Cast Iron Counterweight with steel bracket, Pulley with Grey cast iron : FG-260 Limit Switch Available in Optional