

ALL DIMENSION ARE IN MM UNLESS OTHERWISE SPECIFIED.

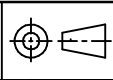
THE INFORMATION CONTAINED IN THIS DRAWING IS THE ONLY PROPERTY OF SHARP ENGINEERS ANY REPRODUCTION IN PART OR AS WHOLE WITHOUT THE WRITTEN PERMISSION OF SHARP ENGINEERS IS PROHIBITED.

|              |             |      |             |
|--------------|-------------|------|-------------|
| REVISION No. | DESCRIPTION | DATE | APPROVED BY |
|--------------|-------------|------|-------------|

DRWN BY  
K M  
DRWN DATE  
07-07-2020

SIZE  
A4

SCALE  
1:10



TITLE:-  
SIDERON  
G.A. DRAWING L.H.

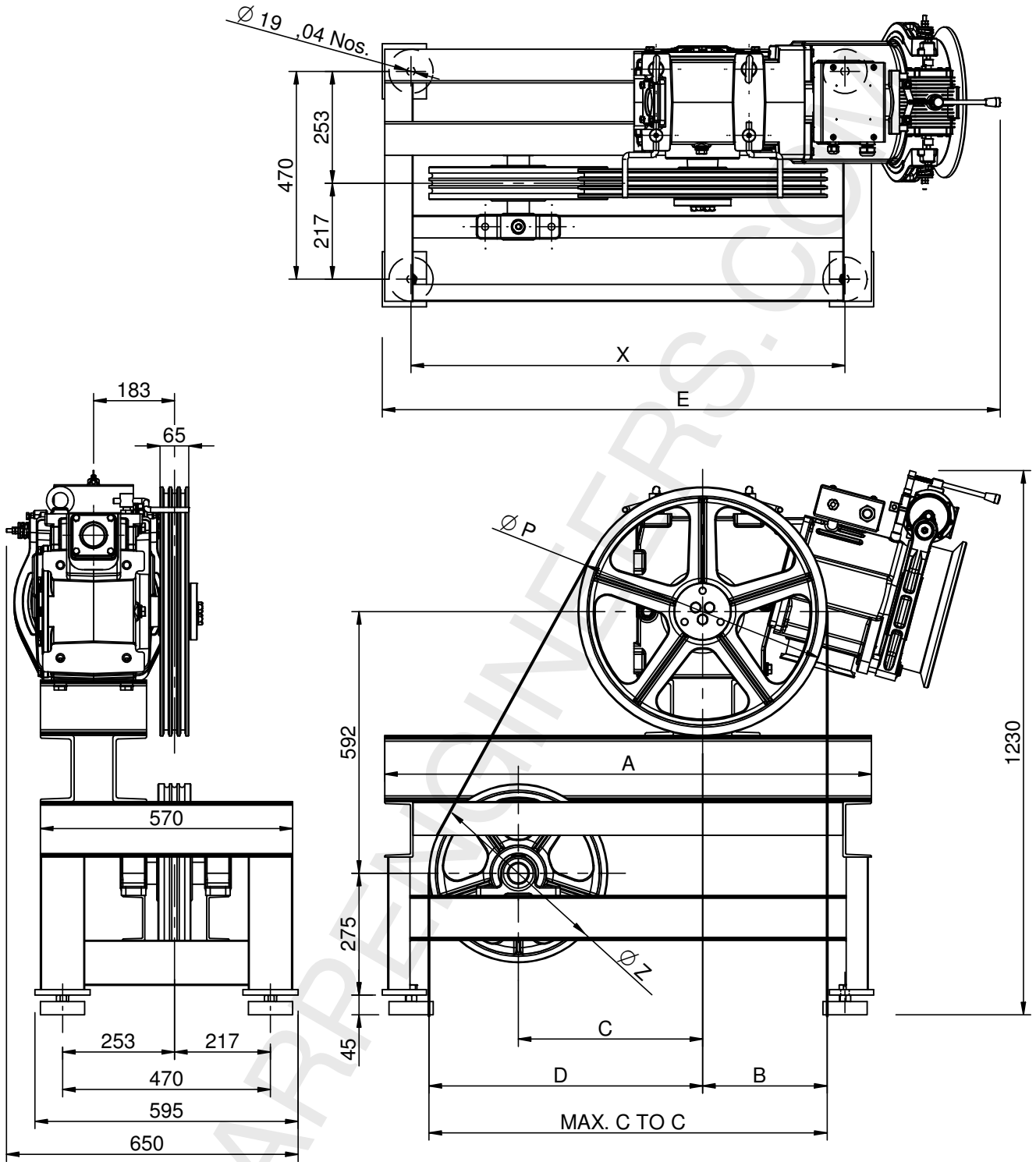
|      |    |     |     |     |
|------|----|-----|-----|-----|
| ØP   | A  | B   | C   | D   |
| Ø560 | 65 | 183 | 262 | 238 |

|      |    |     |     |     |
|------|----|-----|-----|-----|
| ØP   | A  | B   | C   | D   |
| Ø530 | 84 | 193 | 252 | 248 |



THE INFORMATION CONTAINED IN THIS DRAWING IS THE ONLY PROPERTY OF SHARP ENGINEERS ANY REPRODUCTION IN PART OR AS WHOLE WITHOUT THE WRITTEN PERMISSION OF SHARP ENGINEERS IS PROHIBITED.

ALL DIMENSION ARE IN MM UNLESS OTHERWISE SPECIFIED.



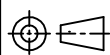
| MAIN SHEAVE $\varnothing P$ | DIVERTER PULLEY $\varnothing Z$ | MAX C TO C | A    | B   | C   | D   | E    | X   |
|-----------------------------|---------------------------------|------------|------|-----|-----|-----|------|-----|
| $\varnothing 530$           | $\varnothing 400$               | 900        | 1100 | 265 | 435 | 635 | 1412 | 980 |
| $\varnothing 560$           |                                 |            |      | 280 | 420 | 618 | 1398 |     |

| REVISION No. | DESCRIPTION | DATE | APPROVED BY |
|--------------|-------------|------|-------------|
|              |             |      |             |

DRWN BY  
KM  
DRWN DATE  
10/01/2018

SIZE  
A4

SCALE



TITLE:- SIDERON  
CTOC DRAWING FOR MAX. 900mm L.H.



**SHARP**  
ENGINEERS