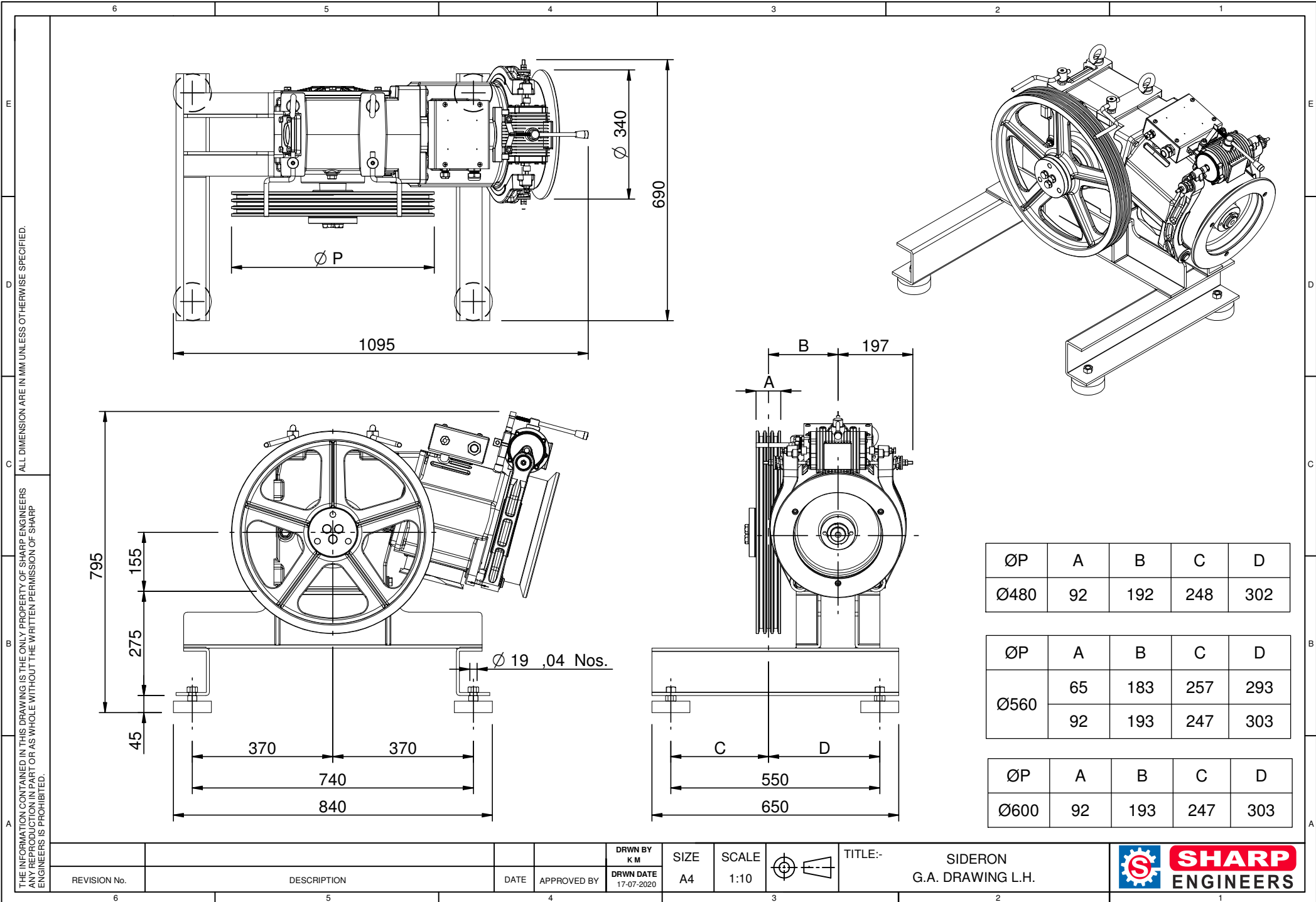


ØP	A	B	C	N X ØD	E
Ø480	92	192	875	4 X Ø12	19
				5 X Ø10	16

ØP	A	B	C	N X ØD	E
Ø560	65	183	955	3 X Ø13	19
				3 X Ø12	
	92	193		4 X Ø13	
				4 X Ø12	

ØP	A	B	C	N X ØD	E
Ø600	92	193	975	4 X Ø13	19
				4 X Ø12	

REVISION No.	DESCRIPTION	DATE	APPROVED BY	DRWN BY K M	SIZE A4:10	SCALE	TITLE:- SIDERON G.A. DRAWING L.H.	
				DRWN DATE 17-07-2020				



THE INFORMATION CONTAINED IN THIS DRAWING IS THE ONLY PROPERTY OF SHARP ENGINEERS  
 ANY REPRODUCTION IN PART OR AS WHOLE WITHOUT THE WRITTEN PERMISSION OF SHARP  
 ENGINEERS IS PROHIBITED.

REVISION No.

DESCRIPTION

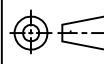
DATE

APPROVED BY

DRWN BY  
KM  
DRWN DATE  
17-07-2020

SIZE  
A4

SCALE  
1:10



TITLE:-

SIDERON  
G.A. DRAWING L.H.

