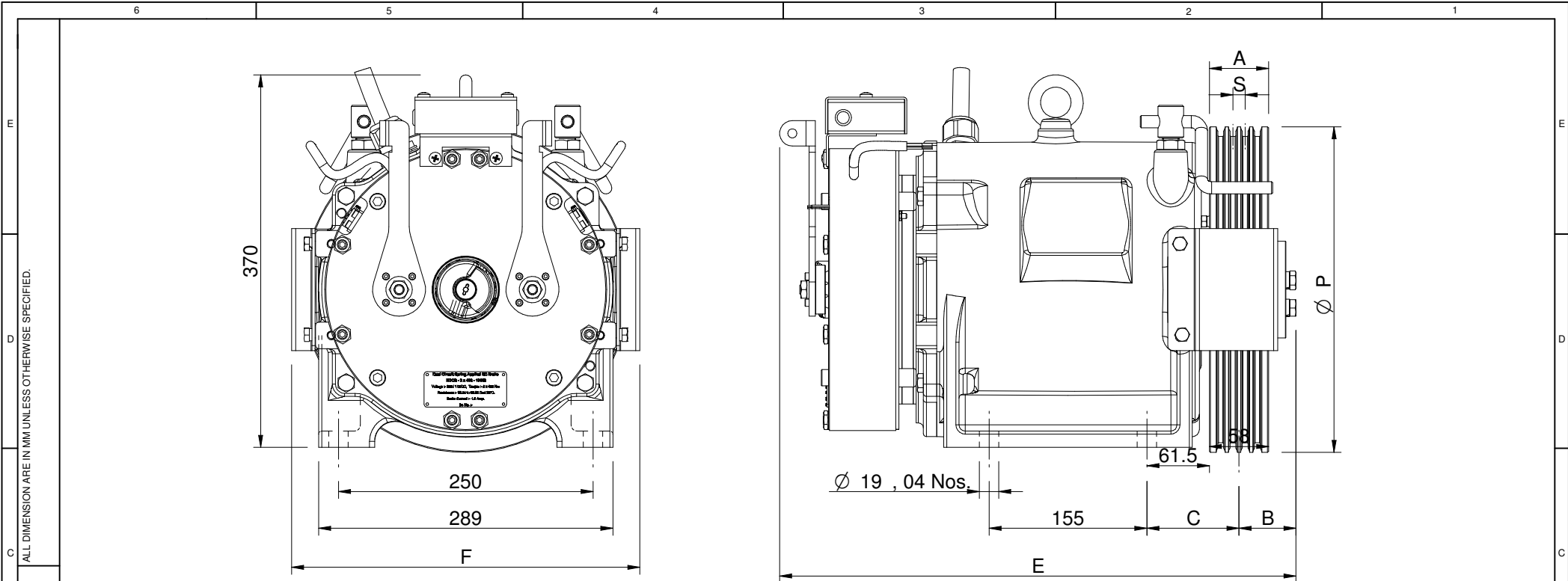


ALL DIMENSION ARE IN MM UNLESS OTHERWISE SPECIFIED.

THE INFORMATION CONTAINED IN THIS DRAWING IS THE ONLY PROPERTY OF SHARP ENGINEERS ANY REPRODUCTION IN PART OR AS WHOLE WITHOUT THE WRITTEN PERMISSION OF SHARP ENGINEERS IS PROHIBITED.

REVISION No.	DESCRIPTION	DATE	APPROVED BY	DRWN BY K M	SIZE A4	SCALE 1:10	TITLE:- SEG-10 G.A. DRAWING WITH MANUAL RELEASE
				DRWN DATE 26-08-2020			





ØP	A	B	C	N X ØD	E	F	S
Ø240	64	53	93.5	5 X Ø6.5	510	320	12

ØP	A	B	C	N X ØD	E	F	S
Ø320	58	56	90.5	4 X Ø8	510	345	12

ØP	A	B	C	N X ØD	E	F	S
Ø240	97	59	110	6 X Ø6.5	530	320	12

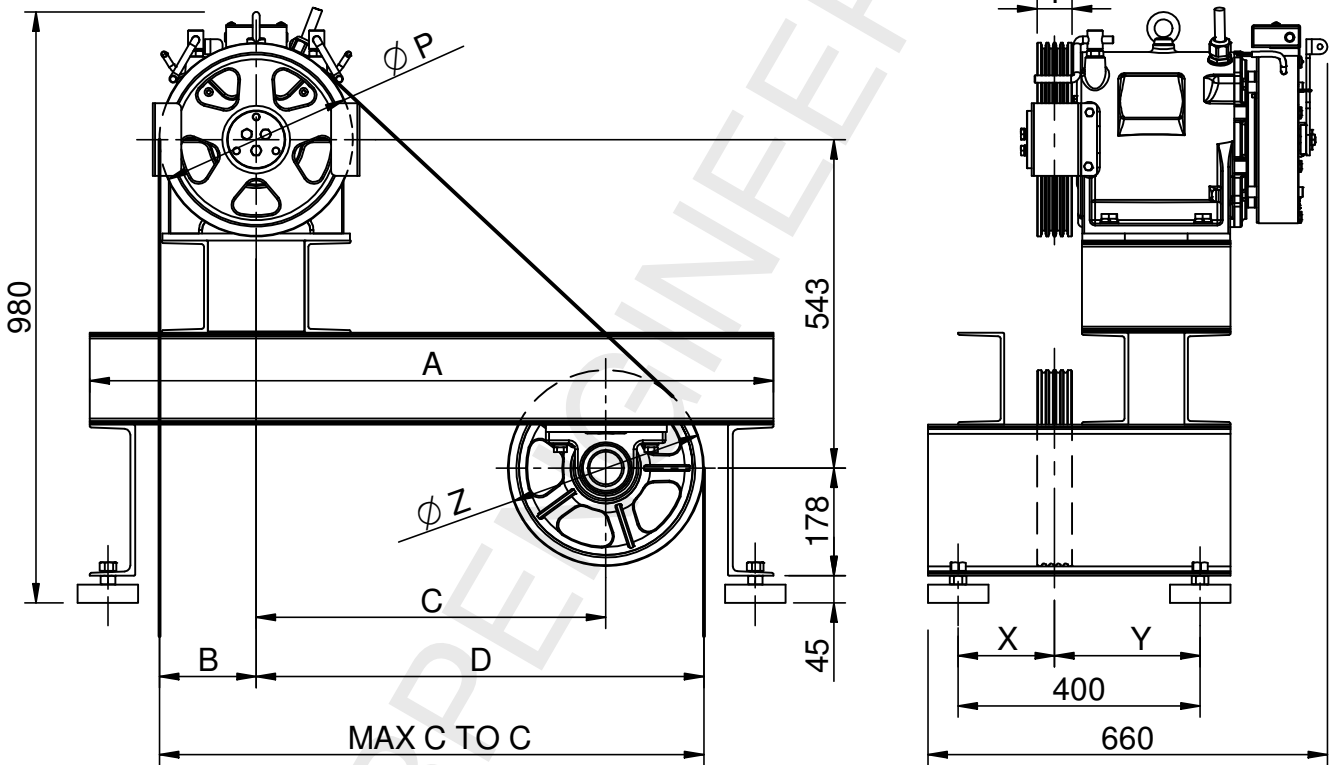
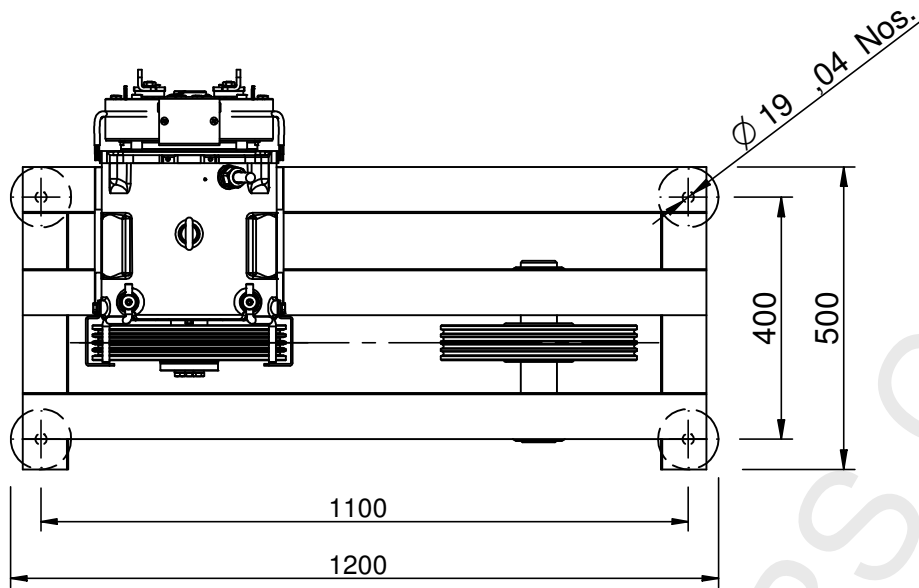
ØP	A	B	C	N X ØD	E	F	S
Ø320	70	50	96.5	5 X Ø8	510	345	12

ALL DIMENSION ARE IN MM UNLESS OTHERWISE SPECIFIED.
 THE INFORMATION CONTAINED IN THIS DRAWING IS THE ONLY PROPERTY OF SHARP ENGINEERS
 ANY REPRODUCTION IN PART OR AS WHOLE WITHOUT THE WRITTEN PERMISSION OF SHARP
 ENGINEERS IS PROHIBITED.

				DRWN BY KM	SIZE A4	SCALE		TITLE:- SEG-10 G.A.DRAWING	
REVISION No.	DESCRIPTION	DATE	APPROVED BY	DRWN DATE 05-06-2020					

THE INFORMATION CONTAINED IN THIS DRAWING IS THE ONLY PROPERTY OF SHARP ENGINEERS ANY REPRODUCTION IN PART OR AS WHOLE WITHOUT THE WRITTEN PERMISSION OF SHARP ENGINEERS IS PROHIBITED.

ALL DIMENSION ARE IN MM UNLESS OTHERWISE SPECIFIED.



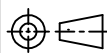
MAIN SHEAVE ØP	MAIN SHEAVE THICKNE SS T	DIVERTER PULLEY ØZ	MAX C TO C	A	B	C	D	X	Y
Ø240	64	Ø320	900	1160	120	620	780	156.5	243.5
	97							140.0	260.0
Ø320	58				160	580	740	159.5	240.5
	70							153.5	246.5

REVISION No.	DESCRIPTION	DATE	APPROVED BY

DRWN BY
KM
DRWN DATE
10/01/2018

SIZE
A4

SCALE



TITLE:- SEG-10
CTOC DRAWING FOR MAX. 900mm

