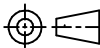
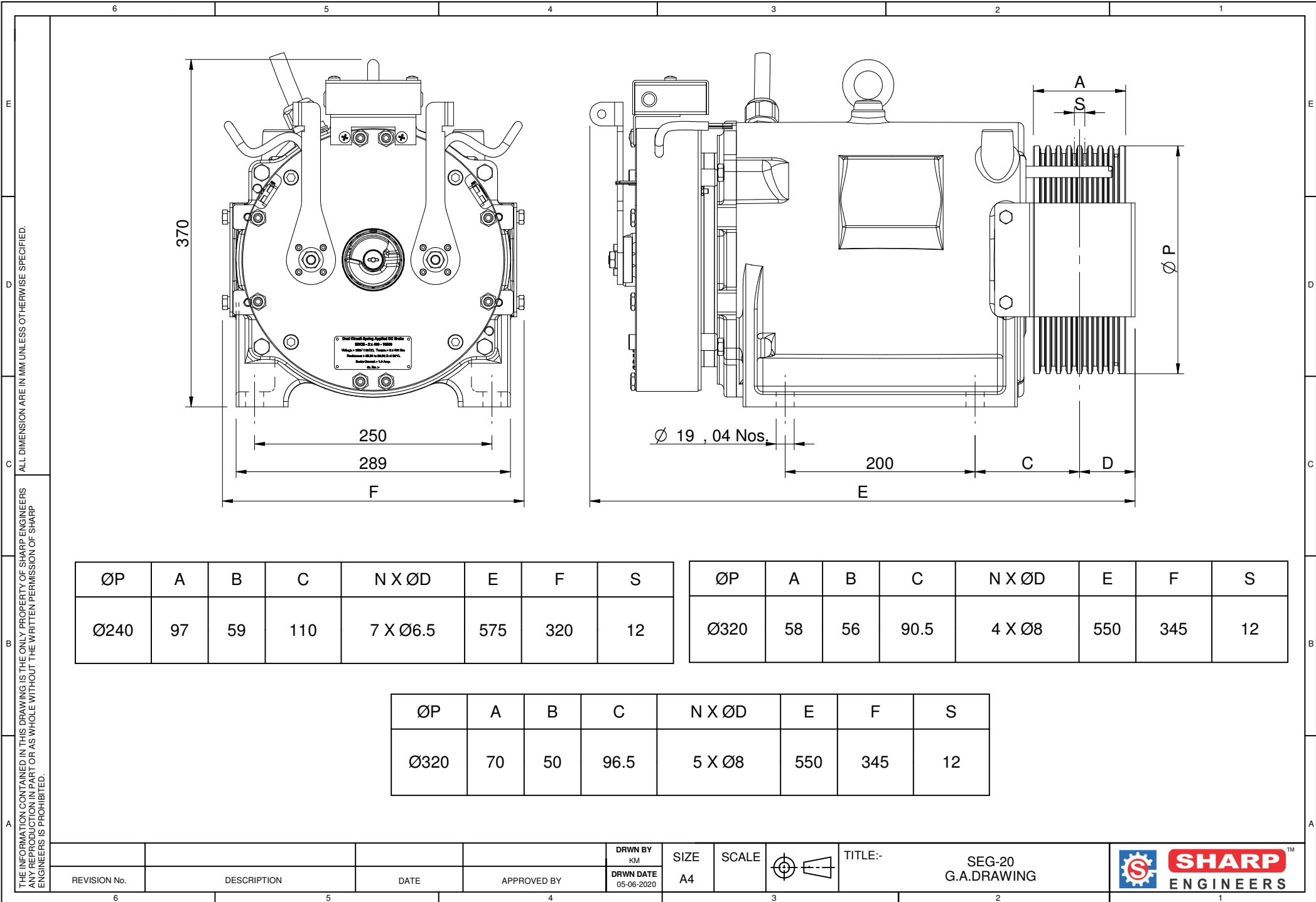


ALL DIMENSION ARE IN MM UNLESS OTHERWISE SPECIFIED.

THE INFORMATION CONTAINED IN THIS DRAWING IS THE ONLY PROPERTY OF SHARP ENGINEERS ANY REPRODUCTION IN PART OR AS WHOLE WITHOUT THE WRITTEN PERMISSION OF SHARP ENGINEERS IS PROHIBITED.

REVISION No.	DESCRIPTION	DATE	APPROVED BY	DRWN BY KM	SIZE A4	SCALE		TITLE:- SEG-20 G.A.DRAWING
6	5	4	3	2	1			





ALL DIMENSION ARE IN MM UNLESS OTHERWISE SPECIFIED.

THE INFORMATION CONTAINED IN THIS DRAWING IS THE ONLY PROPERTY OF SHARP ENGINEERS ANY REPRODUCTION IN PART OR AS WHOLE WITHOUT THE WRITTEN PERMISSION OF SHARP ENGINEERS IS PROHIBITED.

$\varnothing P$	A	B	C	N X $\varnothing D$	E	F	S
$\varnothing 240$	97	59	110	7 X $\varnothing 6.5$	575	320	12

$\varnothing P$	A	B	C	N X $\varnothing D$	E	F	S
$\varnothing 320$	58	56	90.5	4 X $\varnothing 8$	550	345	12

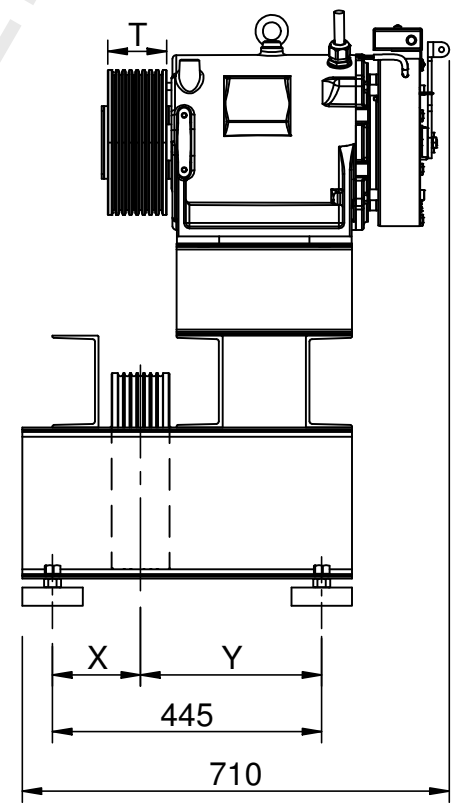
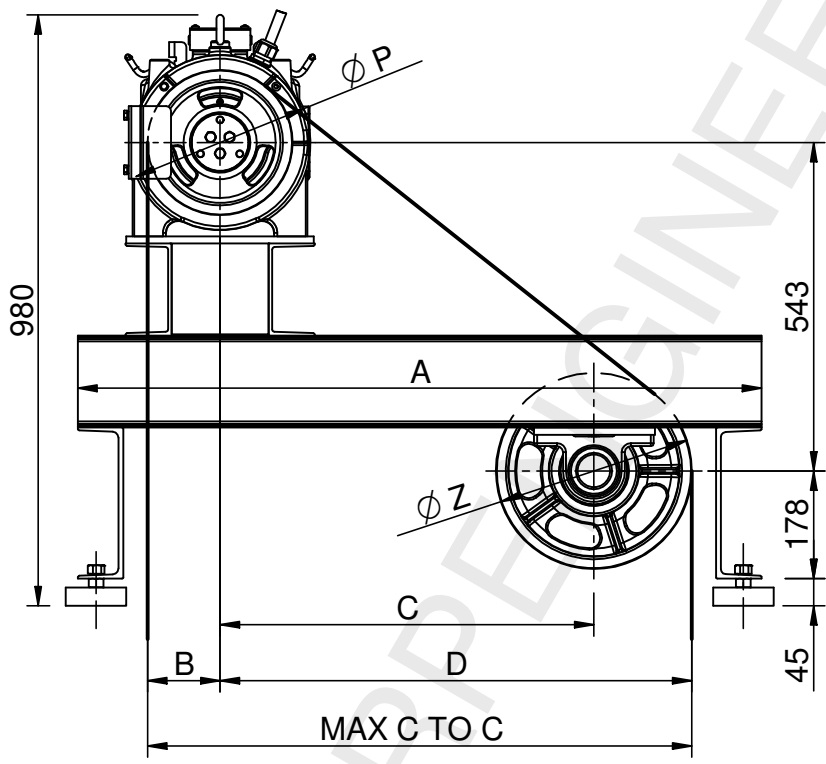
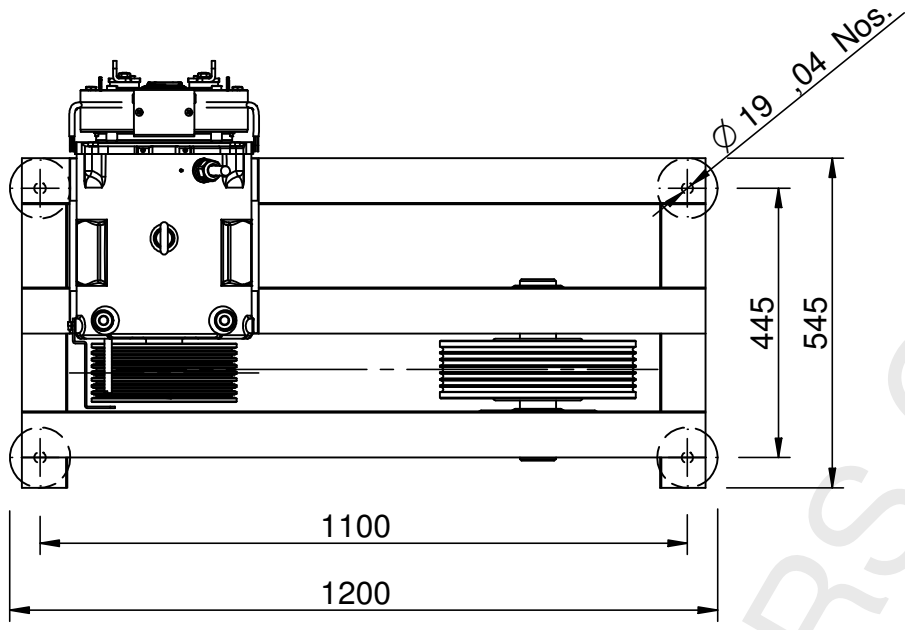
$\varnothing P$	A	B	C	N X $\varnothing D$	E	F	S
$\varnothing 320$	70	50	96.5	5 X $\varnothing 8$	550	345	12

REVISION No.	DESCRIPTION	DATE	APPROVED BY	DRWN BY KM	SIZE A4	SCALE	TITLE:-
				DRWN DATE 05-06-2020			SEG-20 G.A.DRAWING



THE INFORMATION CONTAINED IN THIS DRAWING IS THE ONLY PROPERTY OF SHARP ENGINEERS ANY REPRODUCTION IN PART OR AS WHOLE WITHOUT THE WRITTEN PERMISSION OF SHARP ENGINEERS IS PROHIBITED.

ALL DIMENSION ARE IN MM UNLESS OTHERWISE SPECIFIED.



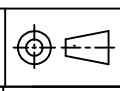
MAIN SHEAVE ØP	MAIN SHEAVE THICKNESS T	DIVERTER PULLEY ØZ	MAX C TO C	A	B	C	D	X	Y
Ø240	97	Ø320	900	1160	120	620	780	140.0	305.0
Ø320	58				160	580	740	159.5	285.5
	70							153.5	291.5

REVISION No.	DESCRIPTION	DATE	APPROVED BY

DRWN BY
K M
DRWN DATE
10/01/2018

SIZE
A4

SCALE



TITLE:- SEG-20
CTOC DRAWING FOR MAX. 900mm

