

THE INFORMATION CONTAINED IN THIS DRAWING IS THE ONLY PROPERTY OF SHARP ENGINEERS  
 ANY REPRODUCTION IN PART OR AS WHOLE WITHOUT THE WRITTEN PERMISSION OF SHARP  
 ENGINEERS IS PROHIBITED.

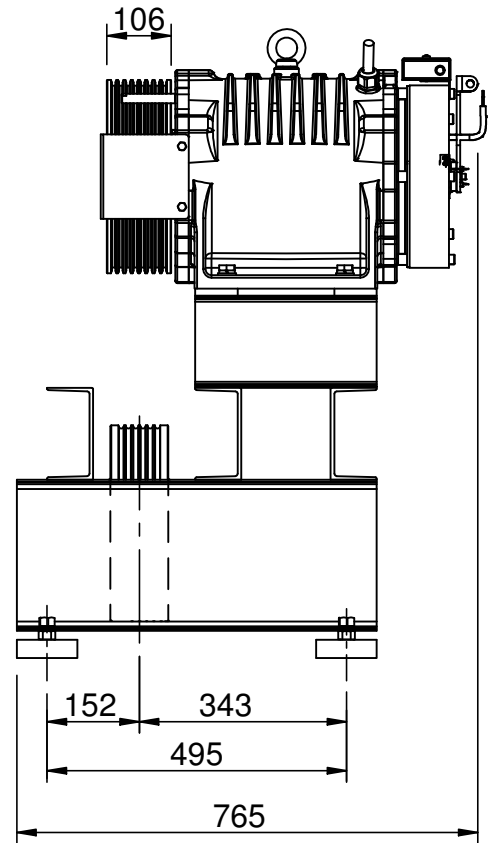
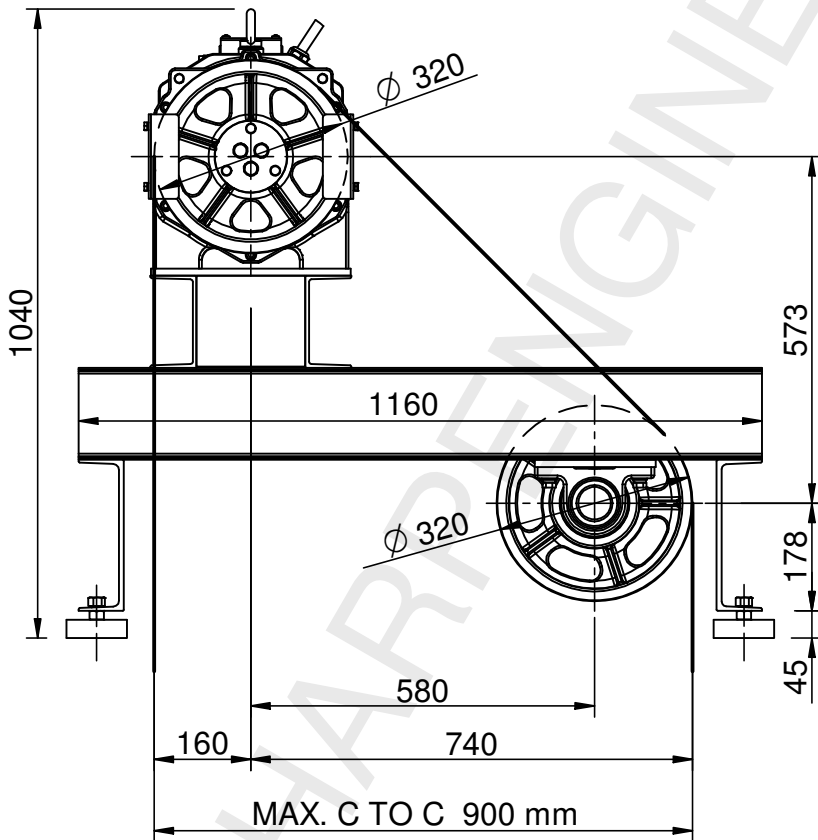
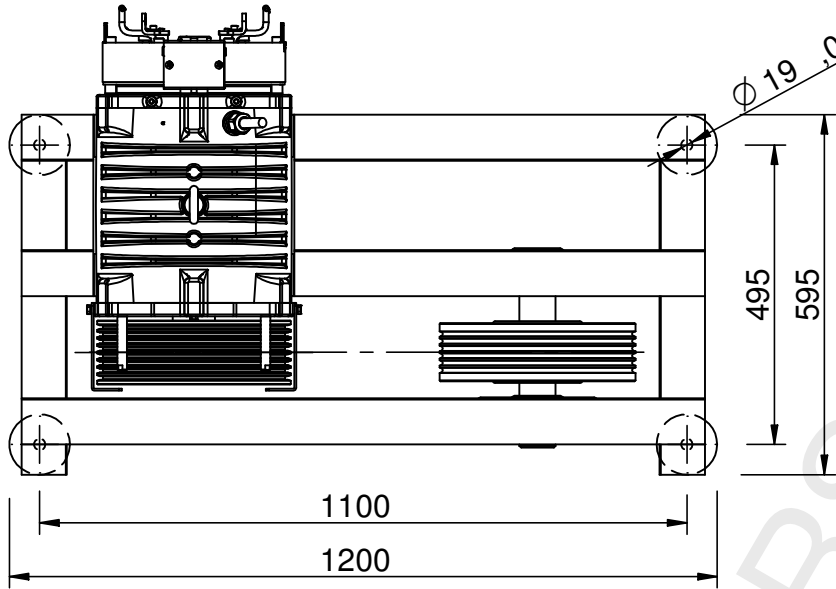
ALL DIMENSION ARE IN MM UNLESS OTHERWISE SPECIFIED.

REVISION No.	DESCRIPTION	DATE	APPROVED BY	DRWN BY KM	SIZE A4	SCALE	TITLE:-
				DRWN DATE 05-06-2020			SEG-30 G.A.DRAWING



THE INFORMATION CONTAINED IN THIS DRAWING IS THE ONLY PROPERTY OF SHARP ENGINEERS ANY REPRODUCTION IN PART OR AS WHOLE WITHOUT THE WRITTEN PERMISSION OF SHARP ENGINEERS IS PROHIBITED.

ALL DIMENSION ARE IN MM UNLESS OTHERWISE SPECIFIED.



REVISION No.	DESCRIPTION	DATE	APPROVED BY

DRWN BY KM	SIZE A4	SCALE	TITLE:- SEG-35 CTOC DRAWING FOR MAX. 900mm	
DRWN DATE 10/01/2018				