

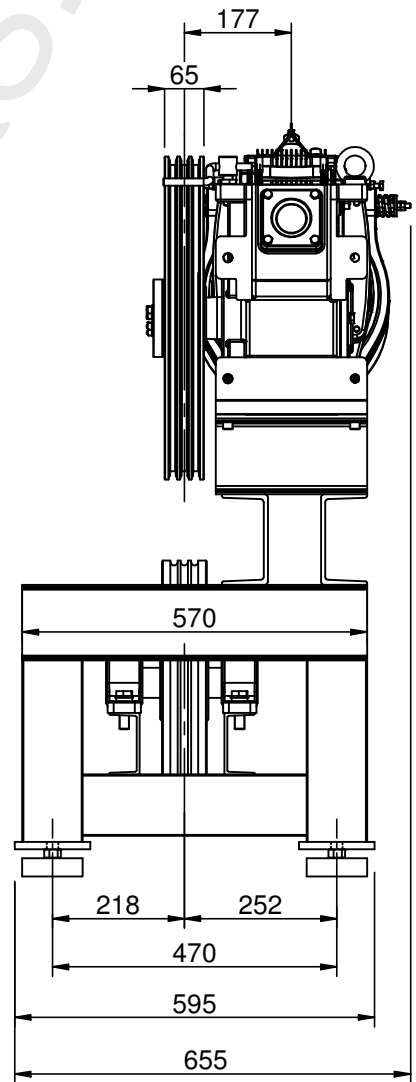
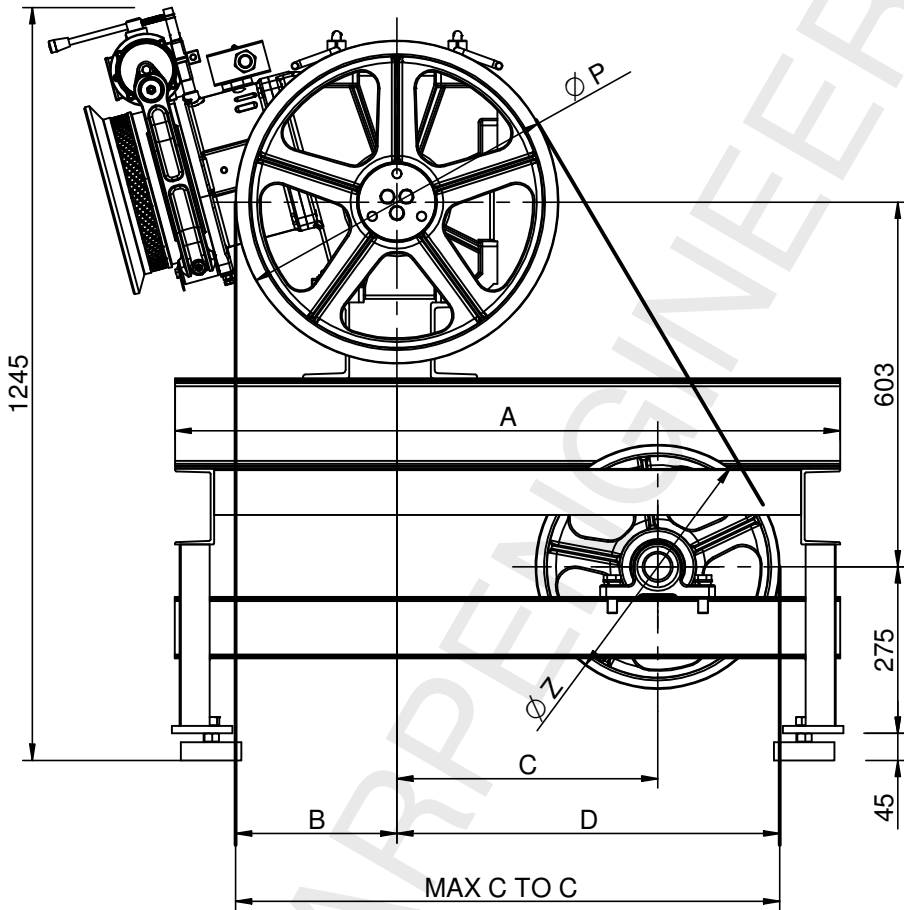
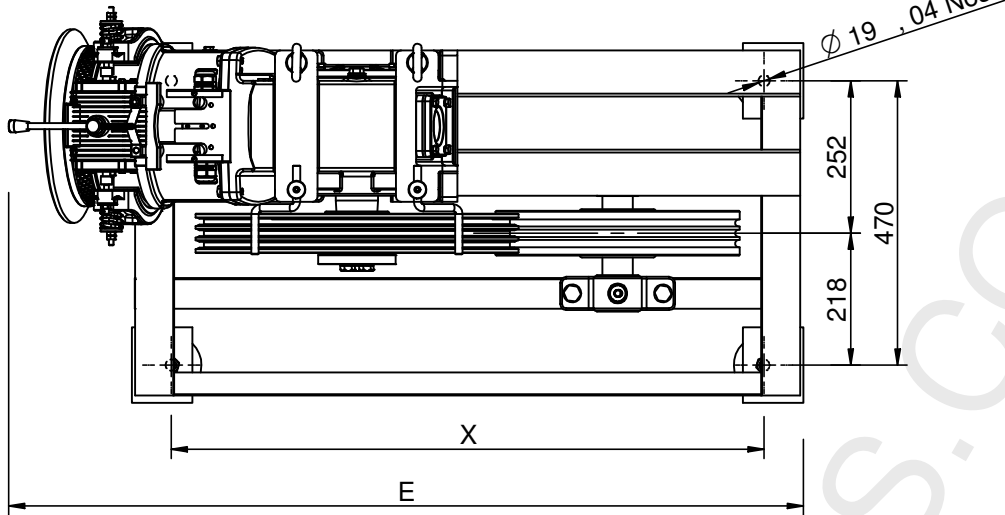
THE INFORMATION CONTAINED IN THIS DRAWING IS THE ONLY PROPERTY OF SHARP ENGINEERS. ANY REPRODUCTION IN PART OR AS WHOLE WITHOUT THE WRITTEN PERMISSION OF SHARP ENGINEERS IS PROHIBITED. ALL DIMENSION ARE IN MM UNLESS OTHERWISE SPECIFIED.

REVISION No.	DESCRIPTION	DATE	APPROVED BY	DRWN BY KM	SIZE A4	SCALE 1:10	TITLE:- MP-61 G.A. DRAWING R.H.
				DRWN DATE 04-06-2020			



THE INFORMATION CONTAINED IN THIS DRAWING IS THE ONLY PROPERTY OF SHARP ENGINEERS ANY REPRODUCTION IN PART OR AS WHOLE WITHOUT THE WRITTEN PERMISSION OF SHARP ENGINEERS IS PROHIBITED.

ALL DIMENSION ARE IN MM UNLESS OTHERWISE SPECIFIED.



MAIN SHEAVE ØP	DIVERTER PULLEY ØZ	MAX C TO C	A	B	C	D	E	X
Ø530	Ø400	900	1100	265	435	635	1351	980
Ø560				280	420	620	1300	

REVISION No.	DESCRIPTION	DATE	APPROVED BY

DRWN BY KM	SIZE A4	SCALE	
DRWN DATE 10/01/2018			

TITLE:- MP - 61
CTOC DRAWING FOR MAX. 900mm R.H

